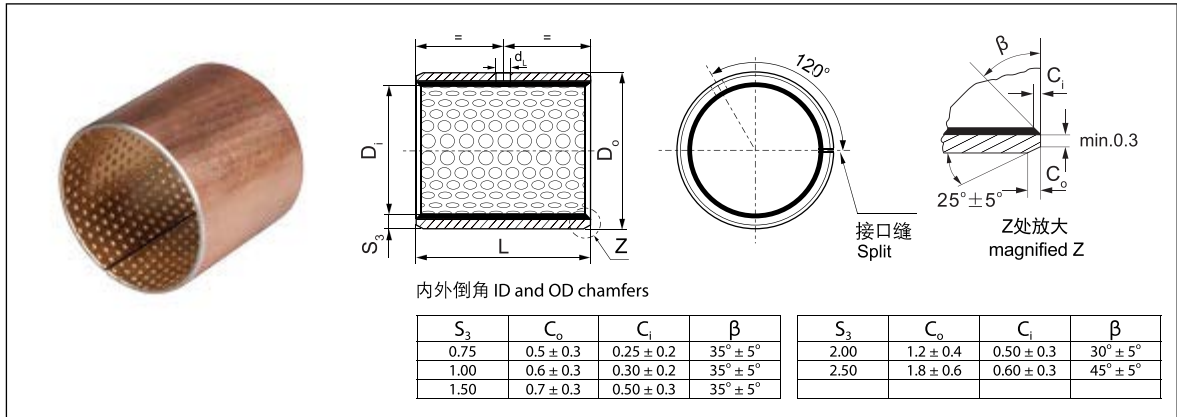


JF-800 标准公制轴套
JF-800 Normal Metric Bushing



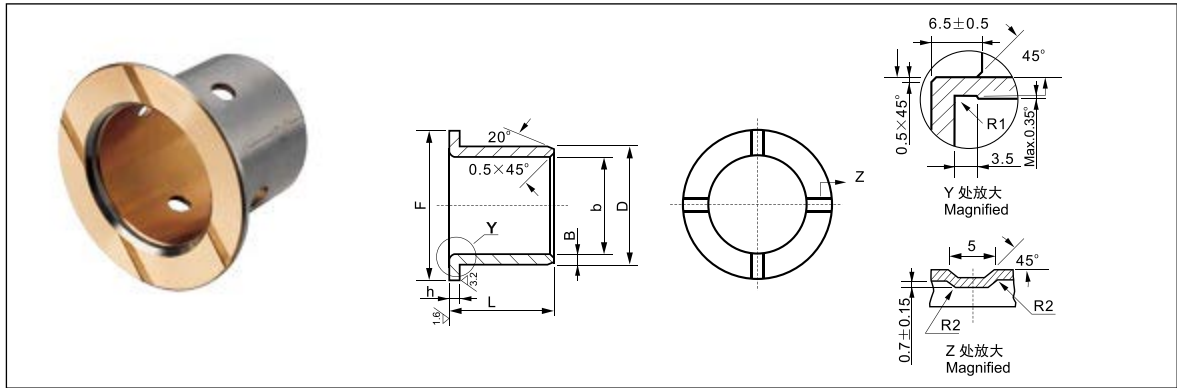
单位 (Unit): mm

内径 D_i ϕd	外径 D_o ϕD	轴径(h8) Shaft D_s	座孔(H7) Housing D_H	压装后 内孔公差 Arter fixed $D_{i,a}$	配合间隙 Clearance C_0	壁厚 Wall thickness S_3	油孔 Oil hole d_L	长度 $L_{-0.40}^0$						
								10	15	20	25	30	40	50
10	12	$10_{-0.022}$	$12^{+0.018}$	$+0.148$ $+0.010$	0.170 0.010	0.995 0.935	4	1010	1015	1020				
12	14	$12_{-0.027}$	$14^{+0.018}$		0.175 0.010			1210	1215	1220				
14	16	$14_{-0.027}$	$16^{+0.018}$					1410	1415	1420				
15	17	$15_{-0.027}$	$17^{+0.018}$					1510	1515	1520				
16	18	$16_{-0.027}$	$18^{+0.018}$					1610	1615	1620				
18	20	$18_{-0.027}$	$20^{+0.021}$	$+0.151$ $+0.010$	0.178 0.010	1.490 1.430	6	1810	1815	1820	1825			
20	23	$20_{-0.033}$	$23^{+0.021}$	$+0.161$ $+0.020$	0.194 0.020			2010	2015	2020	2025			
22	25	$22_{-0.033}$	$25^{+0.021}$					2210	2215	2220	2225			
24	27	$24_{-0.033}$	$27^{+0.021}$		2410			2415	2420	2425	2430			
25	28	$25_{-0.033}$	$28^{+0.021}$		2515			2520	2525	2530				
26	30	$26_{-0.033}$	$30^{+0.021}$	$+0.181$ $+0.040$	0.214 0.040			2615	2620	2625	2630			
28	32	$28_{-0.033}$	$32^{+0.025}$	$+0.185$ $+0.040$	0.218 0.040			2815	2820	2825	2830	2840		
30	34	$30_{-0.033}$	$34^{+0.025}$					3015	3020	3025	3030	3040		
32	36	$32_{-0.039}$	$36^{+0.025}$					3215	3220	3225	3230	3240		
35	39	$35_{-0.039}$	$39^{+0.025}$					3520	3525	3530	3540	3550		
38	42	$38_{-0.039}$	$42^{+0.025}$	0.224 0.040	1.980 1.920	8	3820	3825	3830	3840	3850			
40	44	$40_{-0.039}$	$44^{+0.025}$				4020	4025	4030	4040	4050			

JF 标准公制轴套
JF Normal Metric Bushing

内径 D _i φ d	外径 D _o φ D	轴径(h8) Shaft D _s	座孔(H7) Housing D _H	压装后 内孔公差 Arter fixed D _{ia}	配合间隙 Clearance C _D	壁厚 Wall thickness S ₃	油孔 Oil hole d _L	长度 L ⁰ _{-0.40}							
								25	30	40	50	60	80	90	100
45	50	45 _{-0.039}	50 ^{+0.025}	+ 0.225 + 0.080	0.264 0.080	2.460 2.400	8	4525	4530	4540	4550				
50	55	50 _{-0.039}	55 ^{+0.030}	+ 0.230 + 0.080	0.269 0.080			5030	5040	5050	5060				
55	60	55 _{-0.046}	60 ^{+0.030}		5530			5540	5550	5560					
60	65	60 _{-0.046}	65 ^{+0.030}		6030			6040	6050	6060					
65	70	65 _{-0.046}	70 ^{+0.030}		0.276 0.080			6530	6540	6550	6560				
70	75	70 _{-0.046}	75 ^{+0.030}		7030			7040	7050	7060	7080				
75	80	75 _{-0.046}	80 ^{+0.030}		7530			7540	7550	7560	7580				
80	85	80 _{-0.046}	85 ^{+0.035}	+ 0.235 + 0.080	0.281 0.080			8030	8040	8050	8060	8080	8090		
85	90	85 _{-0.054}	90 ^{+0.035}		8530			8540	8550	8560	8580	8590	85100		
90	95	90 _{-0.054}	95 ^{+0.035}						9040	9050	9060	9080	9090	90100	
95	100	95 _{-0.054}	100 ^{+0.035}		9550		9560	9580	9590	95100					
100	105	100 _{-0.054}	105 ^{+0.035}		0.289 0.080		10050	10060	10080	10090	100100				
105	110	105 _{-0.054}	110 ^{+0.035}		10550		10560	10580	10590	105100					
110	115	110 _{-0.054}	115 ^{+0.035}		+ 0.240 + 0.080		0.303 0.080	11050	11060	11080	11090	110100			
115	120	115 _{-0.054}	120 ^{+0.035}					11550	11560	11580	11590	115100			
120	125	120 _{-0.054}	125 ^{+0.040}					12050	12060	12080	12090	120100			
125	130	125 _{-0.063}	130 ^{+0.040}					12560	12580	12590	125100				
130	135	130 _{-0.063}	135 ^{+0.040}	13060				13080	13090	130100					
135	140	135 _{-0.063}	140 ^{+0.040}	13560				13580	13590	135100					
140	145	140 _{-0.063}	145 ^{+0.040}	14060				14080	14090	140100					
150	155	150 _{-0.063}	155 ^{+0.040}	15060		15080		15090	150100						

JF 标准公制翻边轴套 JF Normal Metric Flange Bushing



单位 (Unit): mm

D ₁	B	D ₃	D ₂	A	C
42	3.5	37	30	30	3.5
43	2	34	30	28	2
44	3.5	39	32	35	3.5
47	3.5	39	32	50	3.5
48	2	39	35	37	2
52	3	41	35	35	3
55	3.5	42	35	35	3.5
55	3.5	45	38	35	3.5
55	3.5	45	38	40	3.5
60	3	41	35	42	3
60	3	46	40	62	3
63	3.5	47	40	40	3.5
65	3.5	52	45	40	3.5
68	3.5	54	47	35	3.5
70	3.5	54	47	40	3.5
70	3.5	57	50	48	3.5
72	3.5	57	50	45	3.5
72	3.5	57	50	50	3.5
75	3.5	57	50	50	3.5
77	3	60	54	55	3
83	3.5	66	59	53	3.5
85	3.5	65	58	60	3.5
87	3.5	67	60	53	3.5
87	3.5	67	60	60	3.5

D ₁	B	D ₃	D ₂	A	C
87	3.5	67	60	65	3.5
87	4	68	60	60	4
94	3.5	72	65	60	3.5
87	3.5	72	65	65	3.5
87.5	1.95	69.12	65.22	64.5	2
88	3.5	67	60	60	3.5
88	3.5	72	65	65	3.5
92	3.5	77	70	67	3.5
93	3.5	75	68	60	3.5
94	3.5	77	70	70	3.5
95	3.5	77	70	65	3.5
95	4	78	70	70	4
97	3.48	77.14	70.18	62	3.5
97	3.5	82	75	74	3.5
100	5	85	75	70	5
103	3.525	70.8	63.75	73	3.5
105	3.5	82	75	75	3.5
105	3.5	87	80	70	3.5
107	4	83	75	74	4
115	5	100	90	75	5
128	3.8	92.6	85	103	4
108	3.5	72	65	75	3.5
108	3.5	77	70	98	3.5
108	5	80	70	90	5