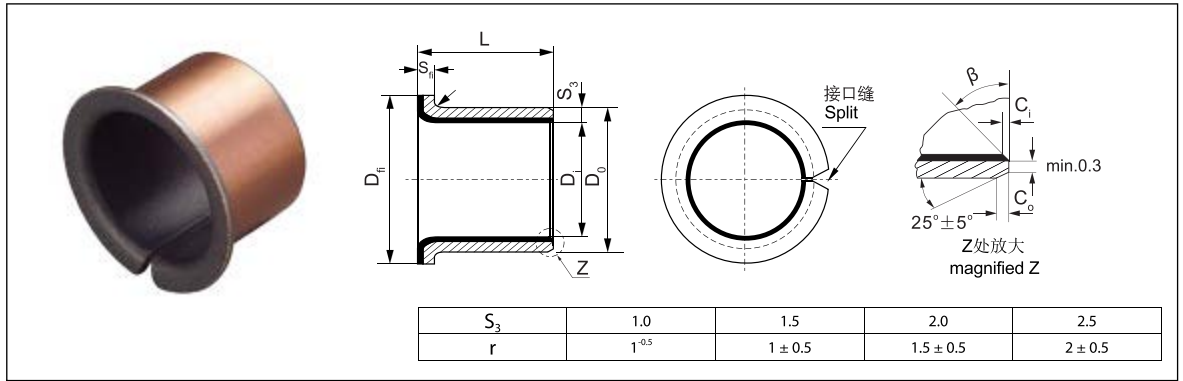


SF-1F 标准公制翻边轴套
SF-1F Normal Metric Flange Bushing



单位 (Unit): mm

轴径(f7) Shaft D_s	座孔(H7) Housing D_H	(OD) 外径公差 Tolerance D_o	(ID)压装后 内孔公差 After fixed $D_{i,a}$	配合间隙 Clearance C_o	型号规格 Designation	壁厚 Wall thickness S_3	尺寸 Dimension				
							D_i	D_o	$D_i \pm 0.5$	$L \pm 0.25$	$S_{f-0.2}$
6 -0.013 -0.028	8 +0.015	8 +0.055 +0.025	6.055 5.990	0.077 0.000	SF-10F06040	1.005	6	8	12	4	1
					SF-10F06070						
8 -0.013 -0.028	10 +0.015	10 +0.055 +0.025	8.055 7.990	0.083 0.003	SF-10F08055	1.005	8	10	15	5.5	1
					SF-10F08075					7.5	
10 -0.016 -0.034	12 +0.018	12 +0.055 +0.025	10.058 9.990	0.086 0.003	SF-10F10070	1.005	10	12	18	7	1
					SF-10F10090					9	
					SF-10F10120					12	
12 -0.016 -0.034	14 +0.018	14 +0.065 +0.030	12.058 11.990	0.092 0.006	SF-10F12070	1.005	12	14	20	7	1
					SF-10F12090					9	
					SF-10F12120					12	
14 -0.016 -0.034	16 +0.018	16 +0.065 +0.030	14.058 13.990	0.092 0.006	SF-10F14120	1.005	14	16	22	12	1
					SF-10F14170					17	
					SF-10F15090					9	
15 -0.016 -0.034	17 +0.018	17 +0.065 +0.030	15.058 14.990	0.092 0.006	SF-10F15120	1.005	15	17	23	12	1
					SF-10F15170					17	
					SF-10F16120					12	
16 -0.016 -0.034	18 +0.018	18 +0.065 +0.030	16.058 15.990	0.092 0.006	SF-10F16170	1.005	16	18	24	17	1
					SF-10F18120					12	
					SF-10F18170					17	
18 -0.016 -0.034	20 +0.021	20 +0.075 +0.035	18.061 17.990	0.095 0.006	SF-10F18200	1.005	18	20	26	20	1
					SF-10F20115					11.5	
					SF-10F20165					16.5	
20 -0.020 -0.041	23 +0.021	23 +0.075 +0.035	20.071 19.990	0.112 0.010	SF-10F20215	1.505	20	23	30	21.5	1.5
					SF-10F22150					15	
					SF-10F22200					20	
22 -0.020 -0.041	25 +0.021	25 +0.075 +0.035	22.071 21.990	0.112 0.010	SF-10F25115	1.505	22	25	32	11.5	1.5
					SF-10F25165					16.5	
					SF-10F25215					21.5	
25 -0.020 -0.041	28 +0.021	28 +0.075 +0.035	25.071 24.990	0.126 0.010	SF-10F30160	2.005	25	28	35	16.5	2
					SF-10F35160					16	
					SF-10F35260					26	
30 -0.025 -0.050	34 +0.025	34 +0.075 +0.035	30.085 29.990	0.135 0.015	SF-10F40260	2.005	30	34	42	26	2
					SF-10F30260					26	
					SF-10F40400					40	
35 -0.025 -0.050	39 +0.025	39 +0.085 +0.045	35.085 34.990	0.135 0.015	SF-10F35160	2.005	35	39	47	16	2
					SF-10F35260					26	
					SF-10F40260					26	
40 -0.025 -0.050	44 +0.025	44 +0.085 +0.045	40.085 39.990	0.135 0.015	SF-10F40260	2.005	40	44	53	26	2
					SF-10F40400					40	