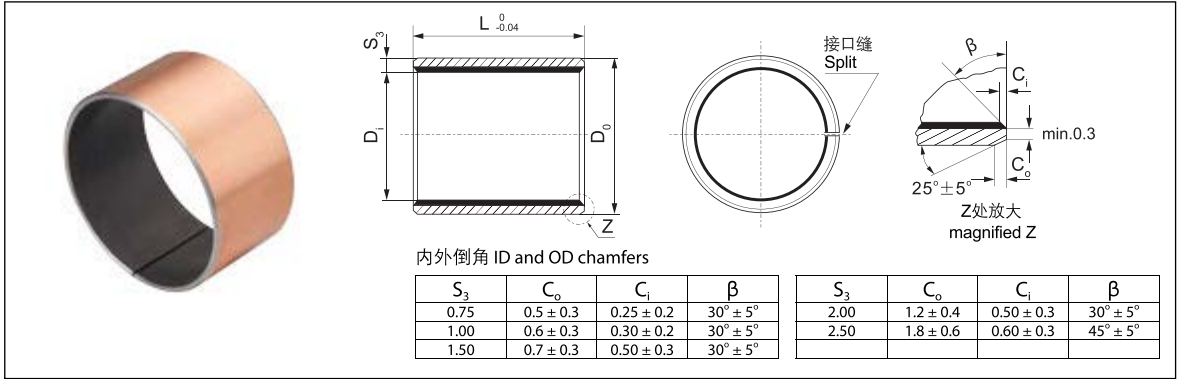


SF-1 标准公制轴套 SF-1 Normal Metric Bushing



单位 (Unit): mm

轴径 (7) Shaft D_s	座孔 (H7) Housing D_H	(OD) 外径公差 Tolerance D_o	(ID) 压装后 内孔公差 After fixed $D_{i.a}$	配合间隙 Clearance D_D	壁厚 Wall thick- ness S_3	长度 L ⁰ / _{-0.40} ($d \leq \Phi 28$ L-0.30 $d > \Phi 30$ L-0.40)															
						6	8	10	12	15	20	25	30	40	50						
6	$+0.015$	$+0.055$ $+0.025$	6.055 5.990	0.077 0.000	1.005 0.980	0606	0608	0610													
8	$+0.015$	$+0.055$ $+0.025$	8.055 7.990	0.083 0.003		0806	0808	0810	0812	0815											
10	$+0.018$	$+0.065$ $+0.030$	10.058 9.990	0.086 0.003		1006	1008	1010	1012	1015	1020										
12	$+0.018$	$+0.065$ $+0.030$	12.058 11.990			1206	1208	1210	1212	1215	1220	1225									
13	$+0.018$	$+0.065$ $+0.030$	13.058 12.990					1310	1312	1315	1320	1325									
14	$+0.018$	$+0.065$ $+0.030$	14.058 13.990	0.092 0.006				1410	1412	1415	1420	1425									
15	$+0.018$	$+0.065$ $+0.030$	15.058 14.990					1510	1512	1515	1520	1525									
16	$+0.018$	$+0.065$ $+0.030$	16.058 15.990					1610	1612	1615	1620	1625									
17	$+0.021$	$+0.075$ $+0.035$	17.061 16.990	0.095 0.006				1710	1712	1715	1720	1725									
18	$+0.021$	$+0.075$ $+0.035$	18.061 17.990					1810	1812	1815	1820	1825									
20	$+0.021$	$+0.075$ $+0.035$	20.071 19.990		1.505 1.475			2010	2012	2015	2020	2025	2030								
22	$+0.021$	$+0.075$ $+0.035$	22.071 21.990	0.112 0.010		2210	2212	2215	2220	2225	2230										
24	$+0.021$	$+0.075$ $+0.035$	24.071 23.990			2410	2412	2415	2420	2425	2430										
25	$+0.021$	$+0.075$ $+0.035$	25.071 24.990			2510	2512	2515	2520	2525	2530	2540	2550								
28	$+0.025$	$+0.085$ $+0.045$	28.085 27.990	0.126 0.010	2.005 1.970				2812	2815	2820	2825	2830	2840	2850						
30	$+0.025$	$+0.085$ $+0.045$	30.085 29.990			3012	3015	3020	3025	3030	3040	3050									
32	$+0.025$	$+0.085$ $+0.045$	32.085 31.990			3212	3215	3220	3225	3230	3240	3250									
35	$+0.025$	$+0.085$ $+0.045$	35.085 34.990	0.135 0.015		3512	3515	3520	3525	3530	3540	3550									
38	$+0.025$	$+0.085$ $+0.045$	38.085 37.990				3812	3815	3820	3825	3830	3840	3850								
40	$+0.025$	$+0.085$ $+0.045$	40.085 39.990				4012	4015	4020	4025	4030	4040	4050								

SF-1 标准公制轴套

SF-1 Normal Metric Bushing

轴径(f7) Shaft D _s	座孔(H7) Housing D _H	(OD) 外径公差 Tolerance D _O	(ID)压装后 内孔公差 After fixed D _{i,a}	配合间隙 Clearance D _O	壁厚 Wall thick- ness S ₃	长度 L ⁰ _{-0.40}											
						20	25	30	40	50	60	70	80	100	115		
45 -0.050 -0.025	50 +0.025	50 +0.085 +0.045	45.105 44.990	0.155 0.015	2.505 2.460	4520	4525	4530	4540	4550							
50 -0.050 -0.025	55 +0.030	55 +0.100 +0.055	50.110 49.990	0.160 0.015		5020	5025	5030	5040	5050	5060						
55 -0.060 -0.030	60 +0.030	60 +0.100 +0.055	55.110 54.990					5530	5540	5550	5560						
60 -0.060 -0.030	65 +0.030	65 +0.100 +0.055	60.110 59.990						6030	6040	6050	6060	6070				
65 -0.060 -0.030	70 +0.030	70 +0.100 +0.055	65.110 64.990	0.170 0.020					6530	6540	6550	6560	6570				
70 -0.060 -0.030	75 +0.030	75 +0.100 +0.055	70.110 69.990						7030	7040	7050	7060	7070	7080			
75 -0.060 -0.030	80 +0.030	80 +0.100 +0.055	75.110 74.990						7530	7540	7550	7560	7570	7580			
80 -0.045	85 +0.035	85 +0.120 +0.070	80.155 80.020	0.201 0.020	2.490 2.440				8040	8050	8060	8070	8080	80100			
85 -0.054	90 +0.035	90 +0.120 +0.070	85.155 85.020							8540	8550	8560	8570	8580	85100		
90 -0.054	95 +0.035	95 +0.120 +0.070	90.155 90.020							9040	9050	9060	9070	9080	90100		
95 -0.054	100 +0.035	100 +0.120 +0.070	95.155 95.020	0.209						9550	9560	9570	9580	95100			
100 -0.054	105 +0.035	105 +0.120 +0.070	100.155 100.020	0.020						10050	10060	10070	10080	100100	100115		
105 -0.054	110 +0.035	110 +0.120 +0.070	105.155 105.020								10560	10570	10580	105100	105115		
110 -0.054	115 +0.035	115 +0.120 +0.070	110.115 110.020								11060	11070	11080	110100	110115		
120 -0.054	125 +0.040	125 +0.170 +0.100	120.210 120.070	0.264 0.070	2.465 2.415						12060	12070	12080	120100	120115		
125 -0.063	130 +0.040	130 +0.170 +0.100	125.210 125.070									12560	12570	12580	125100	125115	
130 -0.063	135 +0.040	135 +0.170 +0.100	130.210 130.070									13060	13070	13080	130100	130115	
140 -0.063	145 +0.040	145 +0.170 +0.100	140.210 140.070	0.273 0.070								14060	14070	14080	140100	140115	
150 -0.063	155 +0.040	155 +0.170 +0.100	150.210 150.070									15060	15070	15080	150100	150115	
160 -0.063	165 +0.040	165 +0.170 +0.100	160.210 160.070									16060	16070	16080	160100	160115	
180 -0.063	185 +0.046	185 +0.210 +0.130	180.216 180.070	0.279 0.070								18060	18070	18080	180100		
190 -0.072	195 +0.046	195 +0.210 +0.130	190.216 190.070		2.465 2.415						19060	19070	19080	190100			
200 -0.072	205 +0.046	205 +0.210 +0.130	200.016 200.070	0.288 0.070								20060	20070	20080	200100		
220 -0.072	225 +0.046	225 +0.210 +0.130	220.216 220.070									22060	22070	22080	220100		
250 -0.072	255 +0.052	255 +0.260 +0.170	250.222 250.070	0.294 0.070	2.465 2.415								25080	250100			
260 -0.081	265 +0.052	265 +0.260 +0.170	260.222 260.070											26080	260100		
280 -0.081	285 +0.052	285 +0.260 +0.170	280.222 280.070	0.303 0.070										28080	280100		
300 -0.081	305 +0.052	305 +0.260 +0.170	300.222 300.070											30080	300100		