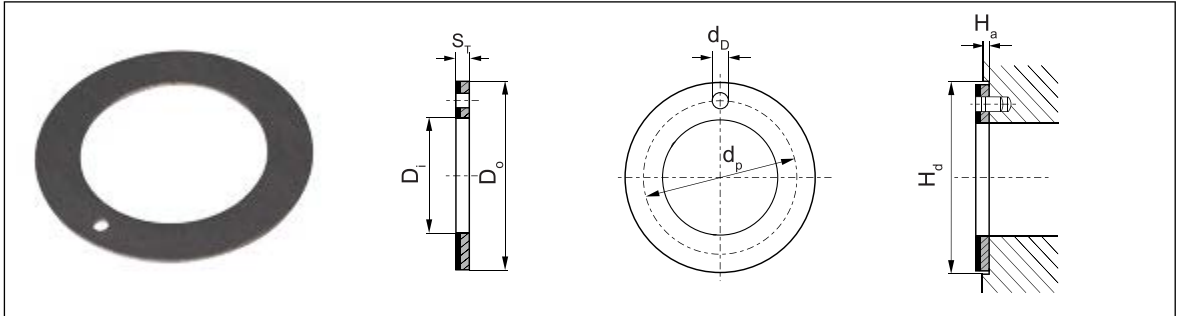


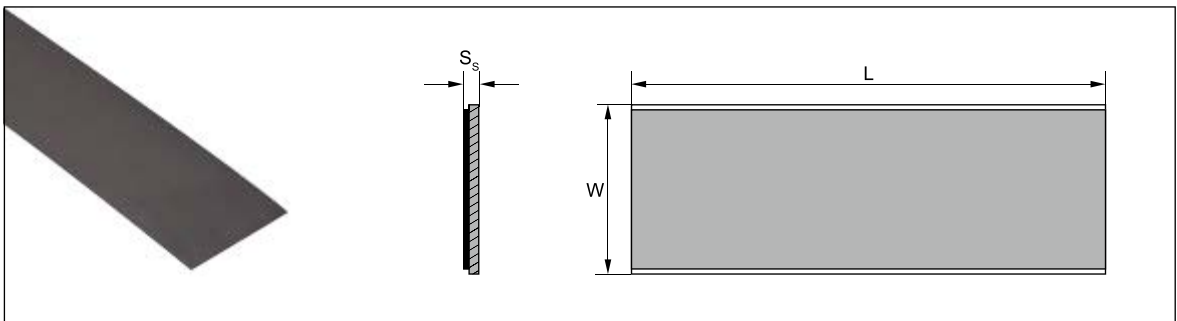
### SF-1WC 标准公制垫片 SF-1WC Normal Metric Washer



单位 (Unit): mm

轴径 Shaft $D_s$	型号规格 Standard No.	垫片尺寸 SF-1WCasher size				安装尺寸 Assemble size		$H_d+0.12$
		$D_i+0.25$	$D_o-0.25$	$S_r-0.05$	$d_p \pm 0.125$	$d_b^{+0.4}_{+0.1}$	$H_a \pm 0.2$	
8	SF-1WC 10	10	20	1.5	15	1.5	1	20
10	SF-1WC 12	12	24		18			
12	SF-1WC 14	14	26		20			
14	SF-1WC 16	16	30		23			
16	SF-1WC 18	18	32		25			
18	SF-1WC 20	20	36		28			
20	SF-1WC 22	22	38		30			
22	SF-1WC 24	24	42		33			
24	SF-1WC 26	26	44		35			
26	SF-1WC 28	28	48		38			
30	SF-1WC 32	32	54		43			
36	SF-1WC 38	38	62		50			
40	SF-1WC 42	42	66		54			
46	SF-1WC 48	48	74		61			
50	SF-1WC 52	52	78	2	4	1.5	74	
60	SF-1WC 62	62	90				65	78
							90	

### SF-1SP 板材规格及公差 SF-1SP Strip Specification & Tolerance



单位 (Unit): mm

型号规格 Standard No.	长度 $L \pm 1$	宽度 $W \pm 1$	厚壁 Wall thickness $S_s-0.05$
SF-1SP	500	150	1.0
SF-1SP	500	150	1.5
SF-1SP	500	150	2.0
SF-1SP	500	150	2.5