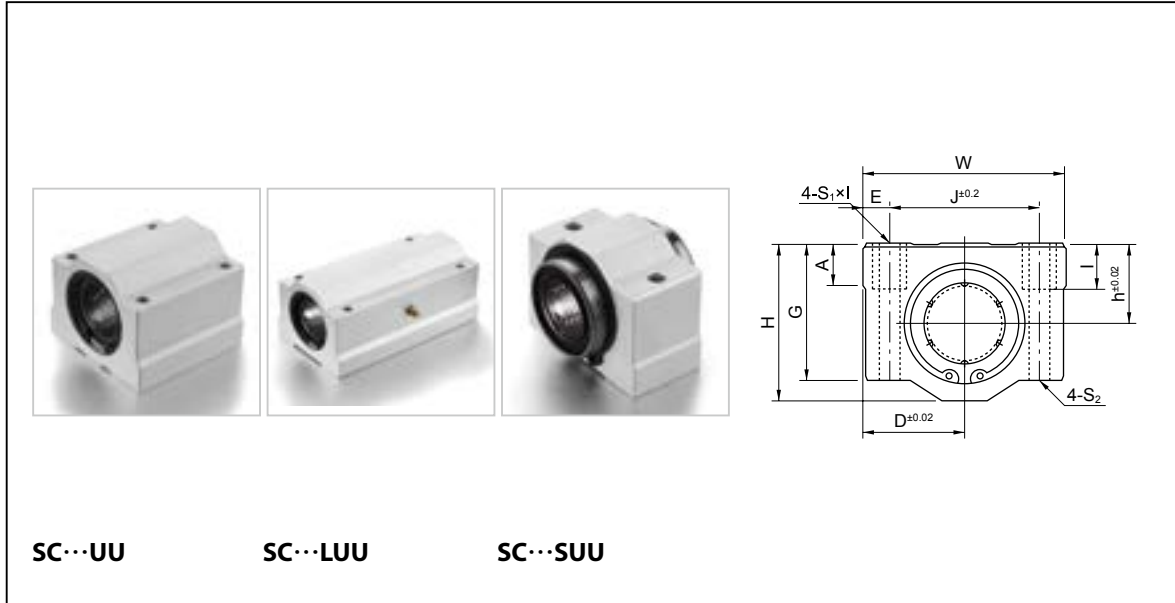


直线轴承箱式单元SC系列
Linear Motion Ball Bearing Slide Units SC Series

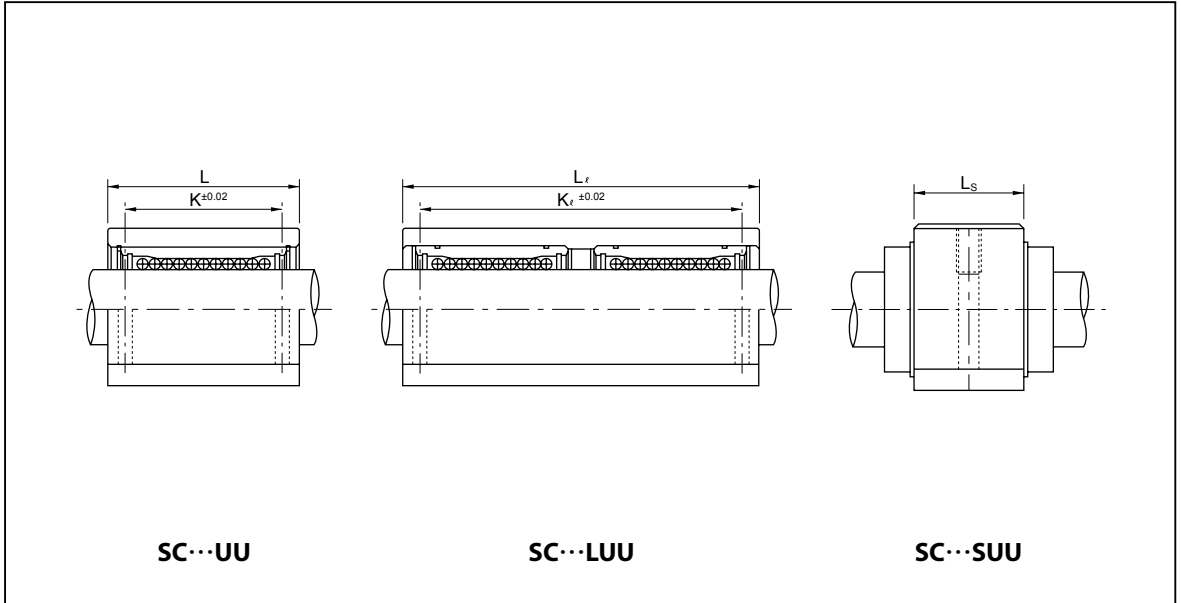


SC...UU

SC...LUU

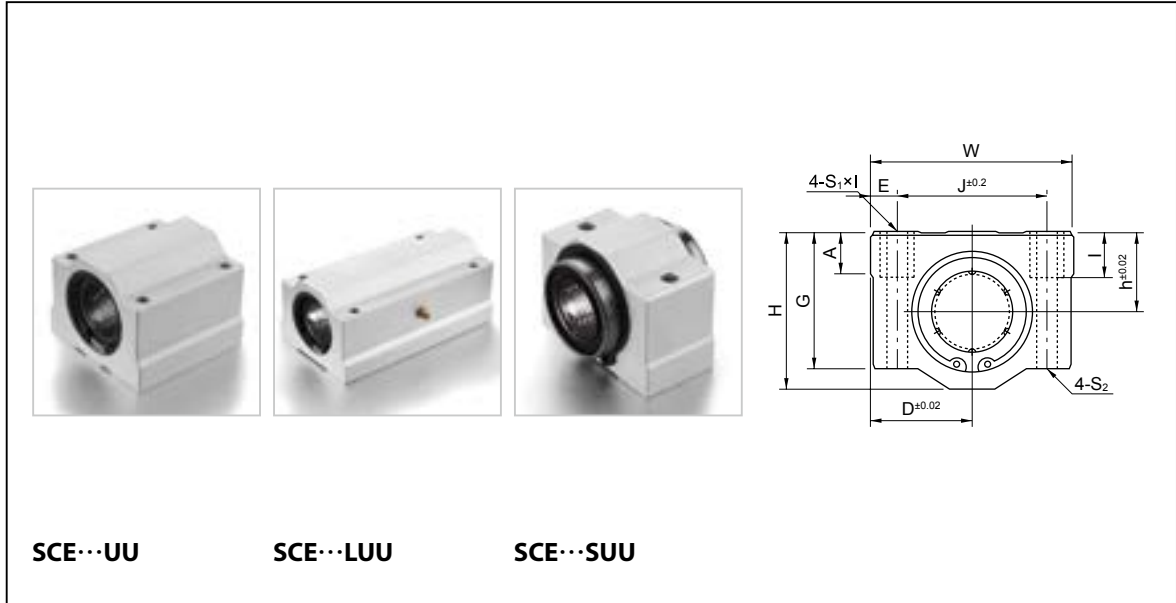
SC...SUU

| 标准型 Standard | | 额定负荷 Basic load rating | | 重量 Weight (g) | 加长型 Length Type | | 额定负荷 Basic load rating | | 重量 Weight (g) | 短型 Shorten Type | |
|-----------------|--------------------------|---------------------------|-----------------------|---------------------|--------------------|--------------------------|---------------------------|-----------------------|---------------------|--------------------|--------------------------|
| 型号 Model | 内装轴承 Liner Bearing | 动负荷 Dynamic C N | 静负荷 Static Co N | | 型号 Model | 内装轴承 Liner Bearing | 动负荷 Dynamic C N | 静负荷 Static Co N | | 型号 Model | 内装轴承 Liner Bearing |
| SC8UU | LM8UU | 274 | 392 | 56 | SC8LUU | 2 × LM8UU | 431 | 784 | 94 | SC8SUU | LM8UU |
| SC10UU | LM10UU | 372 | 549 | 90 | SC10LUU | 2 × LM10UU | 588 | 1,100 | 147 | SC10SUU | LM10UU |
| SC12UU | LM12UU | 510 | 784 | 112 | SC12LUU | 2 × LM12UU | 813 | 1,570 | 220 | SC12SUU | LM12UU |
| SC13UU | LM13UU | 510 | 784 | 123 | SC13LUU | 2 × LM13UU | 813 | 1,570 | 245 | SC13SUU | LM13UU |
| SC16UU | LM16UU | 774 | 1,180 | 189 | SC16LUU | 2 × LM16UU | 1,230 | 2,350 | 376 | SC16SUU | LM16UU |
| SC20UU | LM20UU | 882 | 1,370 | 237 | SC20LUU | 2 × LM20UU | 1,410 | 2,740 | 476 | SC20SUU | LM20UU |
| SC25UU | LM25UU | 980 | 1,570 | 555 | SC25LUU | 2 × LM25UU | 1,610 | 3,140 | 1,115 | SC25SUU | LM25UU |
| SC30UU | LM30UU | 1,570 | 2,740 | 685 | SC30LUU | 2 × LM30UU | 2,450 | 5,490 | 1,375 | SC30SUU | LM30UU |
| SC35UU | LM35UU | 1,670 | 3,140 | 1,100 | SC35LUU | 2 × LM35UU | 2,650 | 6,270 | 2,200 | SC35SUU | LM35UU |
| SC40UU | LM40UU | 2,160 | 4,020 | 1,600 | SC40LUU | 2 × LM40UU | 3,430 | 8,040 | 3,200 | SC40SUU | LM40UU |
| SC50UU | LM50UU | 3,820 | 7,940 | 3,350 | SC50LUU | 2 × LM50UU | 6,080 | 15,900 | 6,720 | SC50SUU | LM50UU |



| 额定负荷 Basic load rating | | 重量 Weight (g) | 尺寸 Dimensions (mm) | | | | | | | | | | | | | | | |
|---------------------------|-----------------------|---------------------|-------------------------|------------------------------|----|-----|------|------|----|------|------|----------|----------------|---------|-----|----------------|----------------|----------------|
| 动负荷 Dynamic C N | 静负荷 Static Co N | | 轴径 Shaft Diameter | 通用尺寸 Nominal Dimensions (mm) | | | | | | | | | | SC...UU | | SC...LUU | | SC...SUU |
| | | | | h | D | W | H | G | A | J | E | S1 × 1 | S ₂ | K | L | K _r | L _r | L _s |
| 260 | 400 | 36 | φ 8 | 11 | 17 | 34 | 22 | 18 | 6 | 24 | 5 | M4 × 8 | φ 3.4 | 18 | 30 | 42 | 58 | 15.4 |
| 370 | 540 | 63 | φ 10 | 13 | 20 | 40 | 26 | 21 | 8 | 28 | 6 | M5 × 12 | φ 4.3 | 21 | 35 | 46 | 68 | 19.5 |
| 410 | 590 | 74 | φ 12 | 15 | 21 | 42 | 28 | 24 | 8 | 30.5 | 5.75 | M5 × 12 | φ 4.3 | 26 | 36 | 50 | 70 | 20.5 |
| 500 | 770 | 85 | φ 13 | 15 | 22 | 44 | 30 | 24.5 | 8 | 33 | 5.5 | M5 × 12 | φ 4.3 | 26 | 39 | 50 | 75 | 20.5 |
| 770 | 1,170 | 132 | φ 16 | 19 | 25 | 50 | 38.5 | 32.5 | 9 | 36 | 7 | M5 × 12 | φ 4.3 | 34 | 44 | 60 | 85 | 23.5 |
| 860 | 1,370 | 170 | φ 20 | 21 | 27 | 54 | 41 | 35 | 11 | 40 | 7 | M6 × 12 | φ 5.2 | 40 | 50 | 70 | 96 | 27.4 |
| 980 | 1,560 | 405 | φ 25 | 26 | 38 | 76 | 51.5 | 42 | 12 | 54 | 11 | M8 × 18 | φ 7.0 | 50 | 67 | 100 | 130 | 37.4 |
| 1,560 | 2,740 | 495 | φ 30 | 30 | 39 | 78 | 59.5 | 49 | 15 | 58 | 10 | M8 × 18 | φ 7.0 | 58 | 72 | 110 | 140 | 40.9 |
| 1,660 | 3,130 | 790 | φ 35 | 34 | 45 | 90 | 68 | 54 | 18 | 70 | 10 | M8 × 18 | φ 7.0 | 60 | 80 | 120 | 155 | 45.4 |
| 2,150 | 4,010 | 1,220 | φ 40 | 40 | 51 | 102 | 78 | 62 | 20 | 80 | 11 | M10 × 25 | φ 8.7 | 60 | 90 | 140 | 175 | 56.4 |
| 3,820 | 7,930 | 2,300 | φ 50 | 52 | 61 | 122 | 102 | 80 | 25 | 100 | 11 | M10 × 25 | φ 8.7 | 80 | 110 | 160 | 215 | 68.9 |

直线轴承箱式单元SCE系列
Linear Motion Ball Bearing Slide Units SCE Series

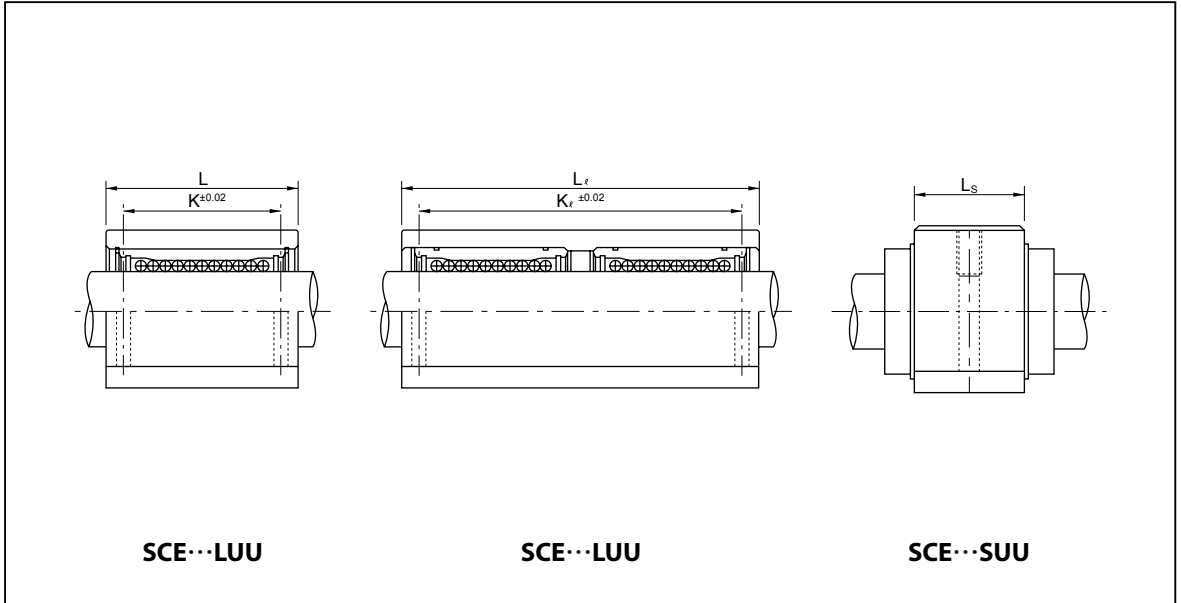


SCE...UU

SCE...LUU

SCE...SUU

| 标准型 Standard | | 额定负荷 Basic load rating | | 重量 Weight (g) | 加长型 Length Type | | 额定负荷 Basic load rating | | 重量 Weight (g) | 短型 Shorten Type | |
|-----------------|--------------------------|---------------------------|-----------------------|---------------------|--------------------|--------------------------|---------------------------|-----------------------|---------------------|--------------------|--------------------------|
| 型号 Model | 内装轴承 Liner Bearing | 动负荷 Dynamic C N | 静负荷 Static Co N | | 型号 Model | 内装轴承 Liner Bearing | 动负荷 Dynamic C N | 静负荷 Static Co N | | 型号 Model | 内装轴承 Liner Bearing |
| SCE8UU | LME8UU | 260 | 400 | 60 | SCE8LUU | 2 × LME8UU | 410 | 800 | 98 | SCE8SUU | LME8UU |
| SCE12UU | LME12UU | 410 | 590 | 118 | SCE12LUU | 2 × LME12UU | 650 | 1,180 | 232 | SCE12SUU | LME12UU |
| SCE16UU | LME16UU | 770 | 1,170 | 180 | SCE16LUU | 2 × LME16UU | 1,230 | 2,340 | 360 | SCE16SUU | LME16UU |
| SCE20UU | LME20UU | 860 | 1,370 | 245 | SCE20LUU | 2 × LME20UU | 1,370 | 2,740 | 490 | SCE20SUU | LME20UU |
| SCE25UU | LME25UU | 980 | 1,560 | 550 | SCE25LUU | 2 × LME25UU | 1,560 | 3,120 | 1,100 | SCE25SUU | LME25UU |
| SCE30UU | LME30UU | 1,560 | 2,740 | 760 | SCE30LUU | 2 × LME30UU | 2,490 | 5,480 | 1,525 | SCE30SUU | LME30UU |
| SCE40UU | LME40UU | 2,150 | 4,010 | 1,700 | SCE40LUU | 2 × LME40UU | 3,440 | 8,020 | 3,400 | SCE40SUU | LME40UU |
| SCE50UU | LME50UU | 3,820 | 7,930 | 2,950 | SCE50LUU | 2 × LME50UU | 6,110 | 15,860 | 5,920 | SCE50SUU | LME50UU |



| 额定负荷 Basic load rating | | 重量 Weight (g) | 尺寸 Dimensions (mm) | | | | | | | | | | | | | | | |
|---------------------------|-----------------------|---------------------|-------------------------|------------------------------|----|-----|------|------|----|-----|-----|----------|----------------|---------|-----|----------------|----------------|----------------|
| 动负荷 Dynamic C N | 静负荷 Static Co N | | 轴径 Shaft Diameter | 通用尺寸 Nominal Dimensions (mm) | | | | | | | | | | SC...UU | | SC...LUU | | SC...SUU |
| | | | | h | D | W | H | G | A | J | E | S1 × 1 | S ₂ | K | L | K _r | L _r | L _s |
| 260 | 400 | 40 | φ 8 | 11 | 17 | 34 | 22 | 18 | 6 | 24 | 5 | M4 × 8 | φ 3.4 | 18 | 30 | 42 | 58 | 14.4 |
| 410 | 590 | 82 | φ 12 | 15 | 22 | 44 | 30 | 24 | 8 | 33 | 5.5 | M5 × 10 | φ 4.3 | 26 | 39 | 64 | 77 | 20.3 |
| 770 | 1,170 | 122 | φ 16 | 19 | 25 | 50 | 38.5 | 32.5 | 9 | 36 | 7 | M5 × 12 | φ 4.3 | 34 | 44 | 79 | 89 | 22.3 |
| 860 | 1,370 | 176 | φ 20 | 21 | 27 | 54 | 41 | 35 | 11 | 40 | 7 | M6 × 12 | φ 5.2 | 40 | 53 | 90 | 106 | 28.3 |
| 980 | 1,560 | 400 | φ 25 | 26 | 38 | 76 | 51.5 | 41 | 12 | 54 | 11 | M8 × 18 | φ 7.0 | 50 | 67 | 119 | 136 | 40.4 |
| 1,560 | 2,740 | 570 | φ 30 | 30 | 39 | 78 | 59.5 | 49 | 15 | 58 | 10 | M8 × 18 | φ 7.0 | 58 | 76 | 132 | 154 | 48.4 |
| 2,150 | 4,010 | 1,320 | φ 40 | 40 | 51 | 102 | 78 | 62 | 20 | 80 | 11 | M10 × 25 | φ 8.7 | 60 | 90 | 150 | 180 | 56.4 |
| 3,820 | 7,930 | 1,900 | φ 50 | 52 | 61 | 122 | 102 | 80 | 25 | 100 | 11 | M10 × 25 | φ 8.7 | 80 | 110 | 200 | 230 | 72.3 |